

JRC 150W SSB RADIOTELEPHONE

JSB-196

Smallest 150W SSB
with DSP Technology



- Compact, the Smallest in the world*
 - Easy Operation with Jog Dial and Large LCD
 - High Performance the Digital Signal Processing (DSP) Technology
 - Wide Frequency Range
 - 200 Programmable Memory Channels
 - Various Operating Modes
 - DSC Class A Terminal for Voluntary Fitting (Option)
- * as of Jan. 2000



Japan Radio Co., Ltd.



The JSB-196 SSB Radiotelephone is of extremely compact and lightweight design for easy installation. JRC advanced Digital Signal Processing technology and high efficiency power amplification have enabled this 150W SSB to be the smallest transceiver in its class.

FEATURES

- **Compact, the smallest in the world!**

The JSB-196 can be installed in any convenient location aboard fishing vessels, yachts and workboats of all sizes, and its' high quality communication is achieved by the stabilised output power and DSP Digital Signal Processing technologies.

- **Easy Operation with Jog Dial and Large , Clear LCD**

Changing Frequency, communication mode, power output , squelch, AGC, etc, is easy with the Jog Dial, back-lit keypad and large Liquid Crystal Display (LCD).

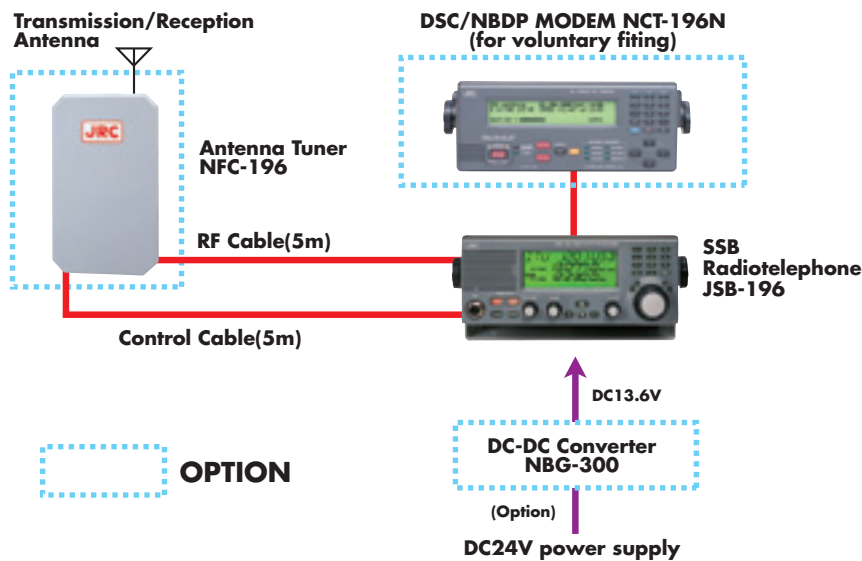
- **Wide Frequency Range**

Covering fully the HF marine band 1.6 to 29.9999MHz for transmission and 0.1 to 29.9999MHz for reception, the JSB-196 also is programmed with all ITU channels for easy use.

- **200 Programmable Memory Channels**

User definable channels are stored in a non-volatile memory that can be easily and quickly accessed with the Jog Dial. The programmable channels are stored in groups of 10 for easy scanning, with a maximum of 20 channels per group.

- **DSC Class A Terminal for Voluntary Fitting (option)**



SPECIFICATION

JSB-196 SSB Radiotelephone

General

Frequency range	Transmit 1.6 to 29.9999MHz Receive 0.1 to 29.9999MHz
Frequency increments	100Hz
Frequency tolerance	±40Hz or better
User definable channels	200ch (20ch X 10 Groups)
Emission mode	J3E (USB), LSB, A1A, F1B, H2B, H3E (Reception only)
Preset ITU channels	1693ch (283 ITU SSB) (519 ITU A1A) (891 ITU F1B)
Scanning channels	20 user defined channels
Antenna impedance	50Ω
Operating temperature	-15°C to +55°C
Power requirement	13.6VDC±10% (12.3VDC to 15.0VDC) negative-grounded Tx:40Amax Rx:2Amax (openable between 10.2VDC and 16.2VDC)

Transmitter

Output power	150 W pep
Carrier suppression	40dB or better
Spurious suppression	40dB or better
AF frequency response	350 to 2700Hz (6dB bandwidth)
Microphone input	600Ω
Line input	600Ω, 0dBm (balanced)

Receiver

Receiving systems	Triple superheterodyne
Intermediate frequency	70.455MHz, 455kHz, 20.2kHz
	J3E: 6.3μV or less (1.6 to 4MHz) 3.5μV or less (4 to 29.9999MHz)
	F1B: 1.8μV or less (1.6 to 4MHz) 1.0μV or less (4 to 29.9999MHz)
AF output	5.0W max. 1W rated
Clarifier range	±200Hz in 1Hz steps
Line output	600Ω, 0dBm (balanced)
Two-Tone Generator	
Frequency of tones	1300Hz and 2200Hz
Frequency tolerance	±1.5% or better
Duration of tones	250ms±10ms
Variation between two tones	1:1.2 or less
Duration of the alarm signal	30 to 60s
Modulation depth	80%±10%

NFC-196 Antenna Tuner (option)

Frequency range	1.6 to 30MHz
Power capability	200W pep
SWR after tuning	2 : 1
Tuning time	Automatic tuning : typical 3s Preset tuning : typical 0.1s
Operating temperature	-30°C to +60°C
Power requirement	10.2VDC to 16.2VDC negative-grounded 1.5A max

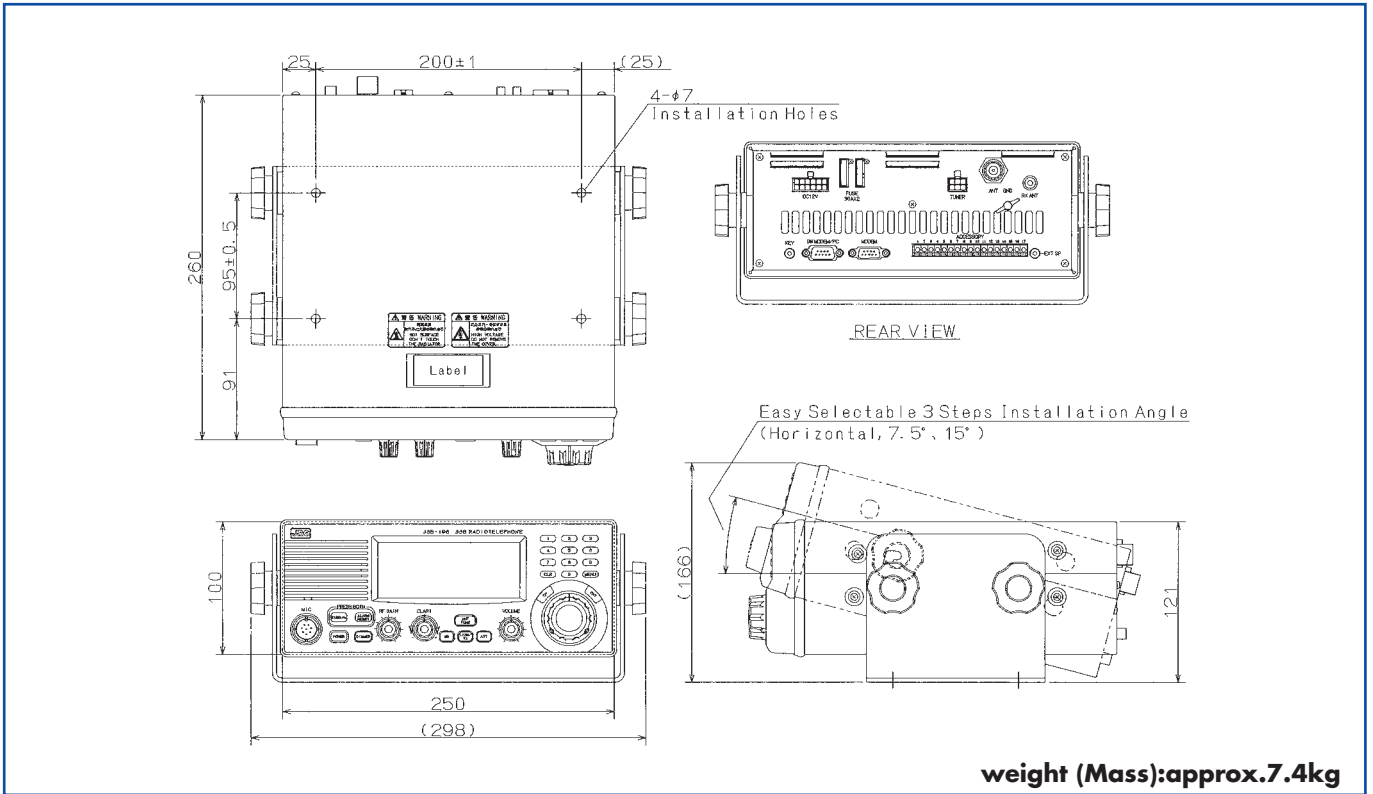
STANDARD COMPONENTS

Components	Model	Q'ty	Remarks
SSB Radiotelephone	JSB-196	1	
Hand Microphone	NVT-140	1	CurI Cable
Power cable	7ZCJD 0043A	1	L=1m
Accessory	JSB 196 -Access	1	Spare fuse, terminal, etc.
Instruction Manual	7ZPJ0108B	1	English

OPTION

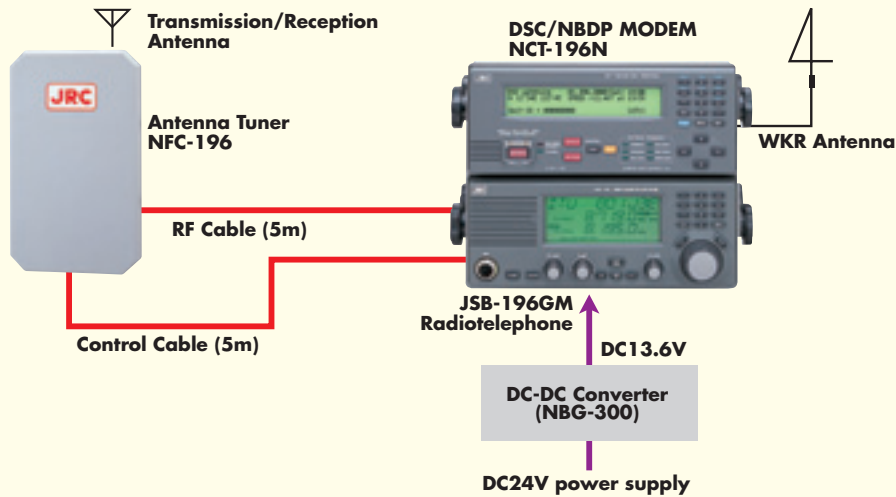
Item	Model	Remark
Antenna Tuner	NFC-196	With 5m RF and control cables
DSC/NBDP MODEM	NCT-196N	With 1.5m control cable and 3m power cable (for voluntary fitting)
DC-DC Converter	NBG-300	

DIMENSIONS & WEIGHT (MASS)



FAMILY MODEL

JSB-196GM150W MF/HF RADIO EQUIPMENT (Fully complied with GMDSS A2 Area carriage requirement)



• Specifications may be subject to change without notice.

For further information, contact:



Since 1915

Japan Radio Co., Ltd.

URL <http://www.jrc.co.jp/eng/>

Main Office: Fujisawa bldg. 30-16, Ogikubo 4-chome
Suginami-ku, Tokyo 167-8540, Japan
Telephone: +81-3-6832-1816
Facsimile: +81-3-6832-1845

Overseas Branches : Seattle, Amsterdam, Athens, Manila
Liaison Offices : Taipei, Jakarta, Singapore, Hanoi,
Shanghai, Hamburg, New York